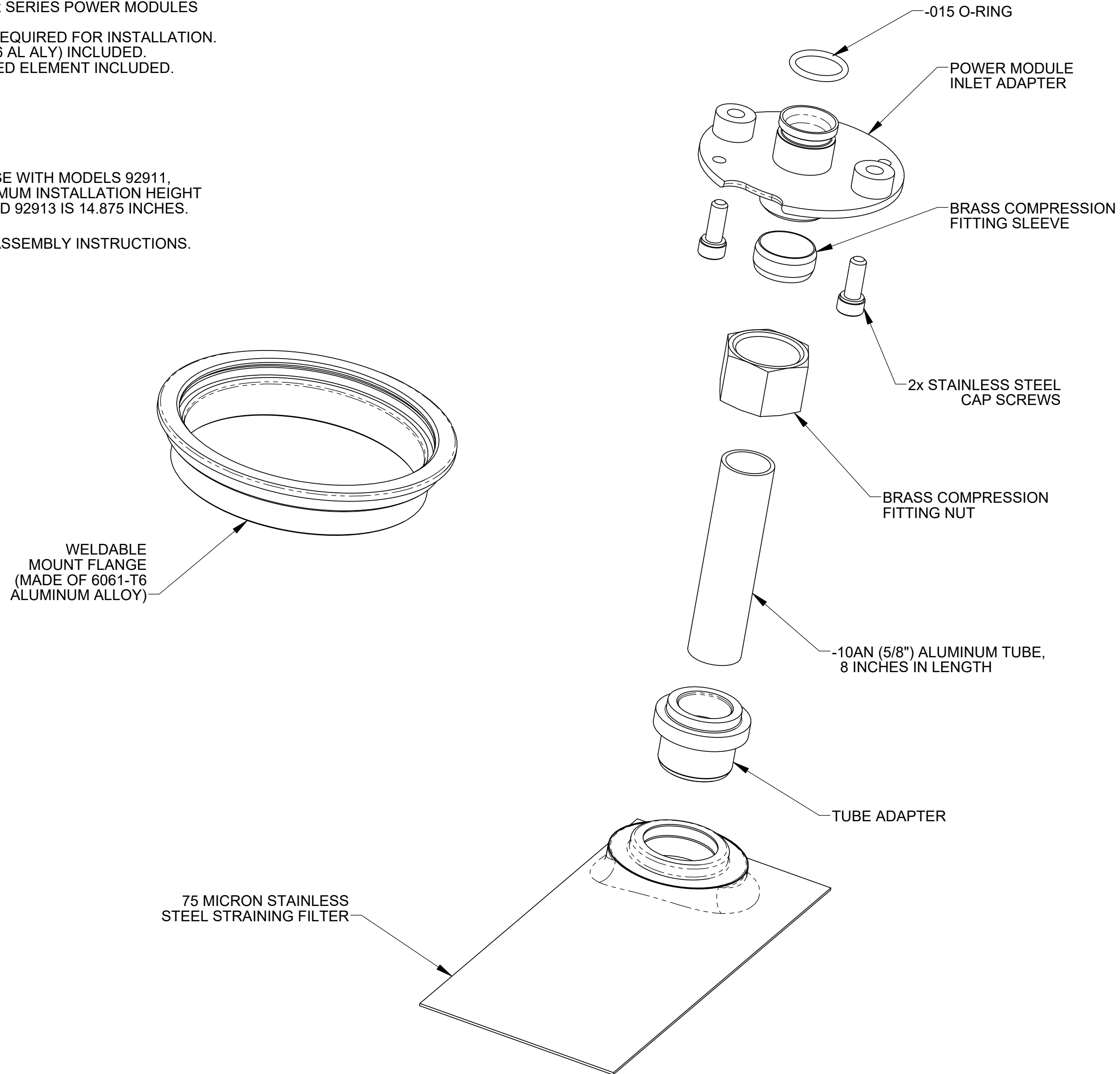

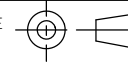


NOTES:

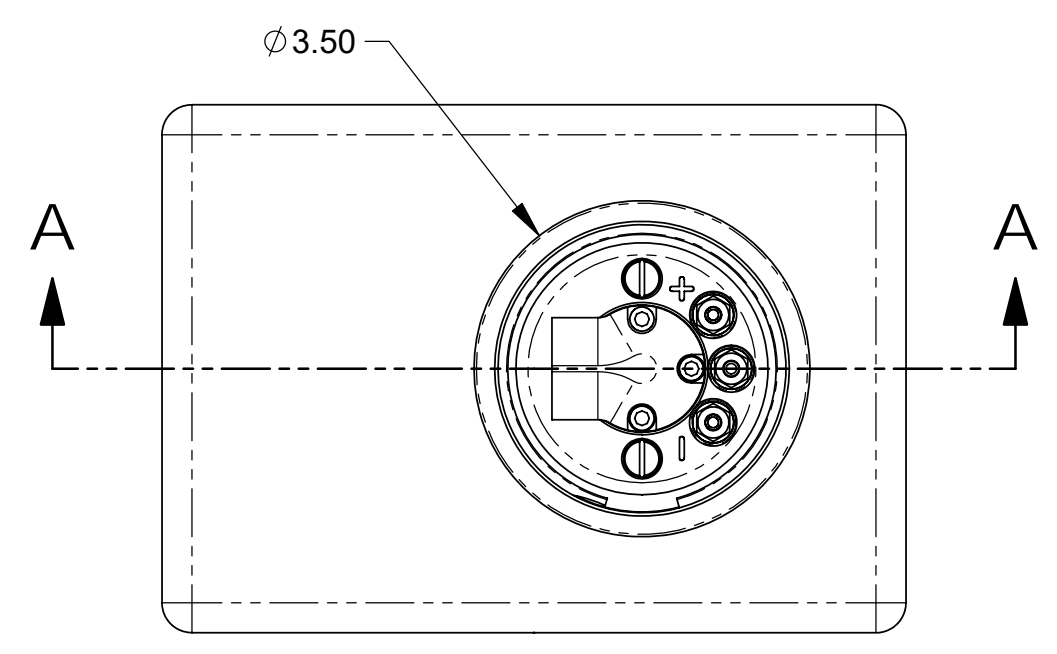
1. THIS DRAWING DESCRIBES THE FUELAB MODEL 20902 FABRICATOR INSTALLATION KIT.
2. FEATURES INCLUDE:
 - FOR USE WITH 909xx, 919xx AND 929xx SERIES POWER MODULES (NOT INCLUDED).
 - METAL FABRICATION AND WELDING REQUIRED FOR INSTALLATION.
 - MOUNTING FLANGE (MADE OF 6061-T6 AL ALY) INCLUDED.
 - STAINLESS STEEL 75 μ RELATIVE RATED ELEMENT INCLUDED.
3. FUEL COMPATIBILITY INCLUDES:
 - GASOLINE (PUMP OR RACE)
 - METHANOL
 - ETHANOL (INCLUDING E85)
 - DIESEL
4. MINIMUM INSTALLATION HEIGHT FOR USE WITH MODELS 92911, 92912 AND 92913 IS 8.000 INCHES. MAXIMUM INSTALLATION HEIGHT FOR USE WITH MODELS 92911, 92912 AND 92913 IS 14.875 INCHES.
5. REFERENCE DRAWING 1490201A1 FOR ASSEMBLY INSTRUCTIONS.



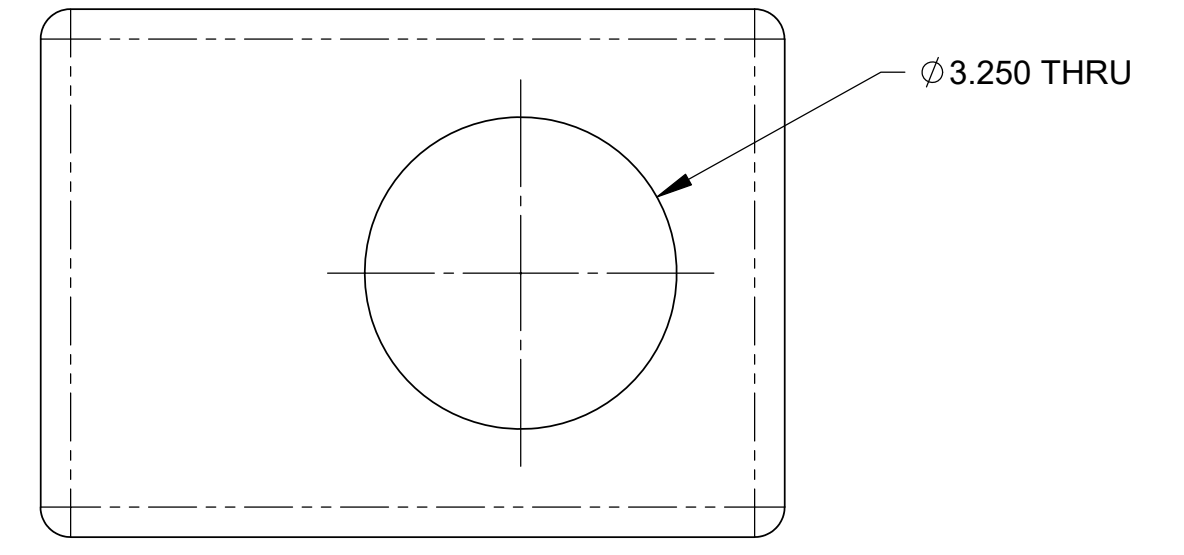
CONTENTS OF INSTALLATION KIT SHOWN ABOVE

UNLESS OTHERWISE SPECIFIED:		 COLLINSVILLE, ILLINOIS	
<small>INTERPRET DWG PER ANSI Y14.5 DIMENSIONS ARE IN INCHES</small>		<small>TOLERANCES: FRACTIONAL: ±1/64" ANGULAR: ±1/2° DECIMALS: X±1 .XX±.03 .XXX±.010</small>	
<small>SURFACE FINISH 128 ✓ OR BETTER</small>		<small>BREAK ALL SHARP EDGES .010 MAX REMOVE ALL BURRS</small>	
<small>THIRD ANGLE PROJECTION</small> 		<small>SIZE</small> C	<small>DWG. NO.</small> 149020200
<small>DO NOT SCALE DRAWING</small>		<small>SCALE:</small> 1/1	<small>WEIGHT:</small> .95 LB
		<small>REV</small> A	<small>SHEET:</small> 1 OF 2

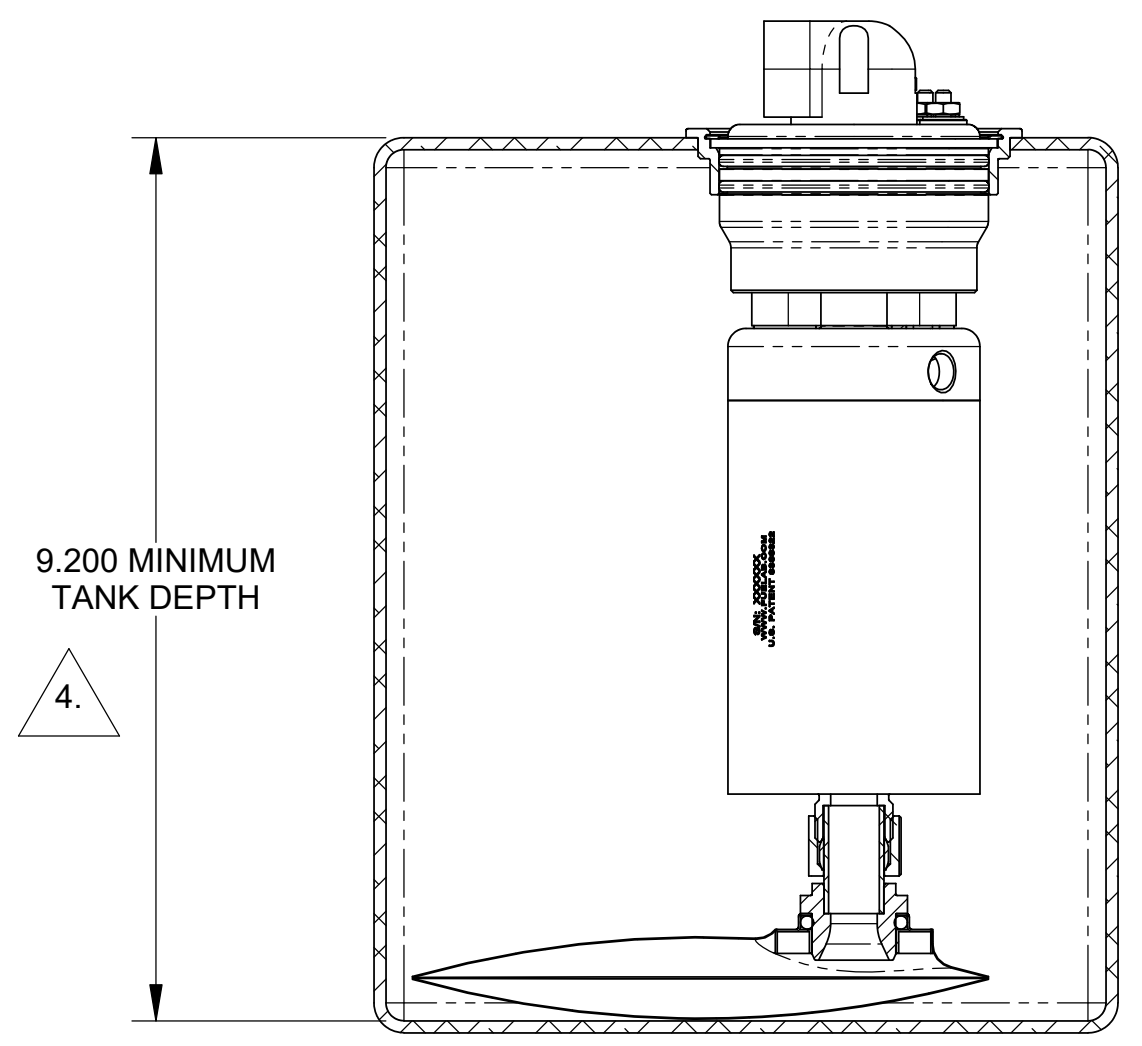
8 7 6 5 4 3 2 1



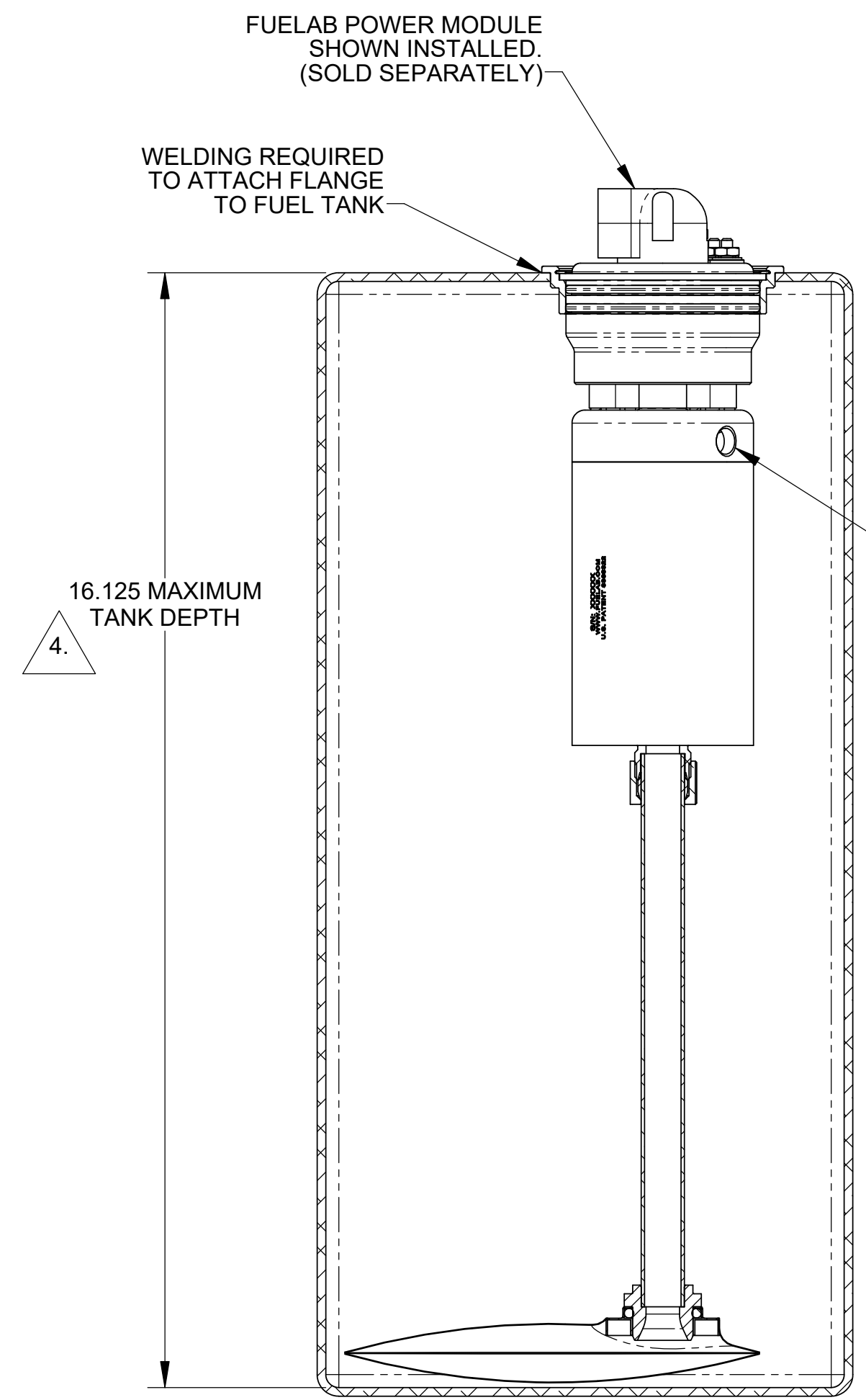
SCALE: 1/2



TANK FABRICATION REQUIREMENT
SHOWN ABOVE
SCALE: 1/2




SECTION A-A
MINIMUM INSTALLATION HEIGHT
SHOWN ABOVE
SCALE: 1/2



SECTION A-A
MAXIMUM INSTALLATION HEIGHT
SHOWN ABOVE
SCALE: 1/2

9.200 MINIMUM
TANK DEPTH

16.125 MAXIMUM
TANK DEPTH

UNLESS OTHERWISE SPECIFIED:		 <small>DIGITAL FUEL DELIVERY</small> Collinsville, Illinois	
<small>INTERPRET DWG PER ANSI Y14.5 DIMENSIONS ARE IN INCHES</small>		TITLE:	
<small>TOLERANCES: FRACTIONAL: ±1/64" ANGULAR: ±1/2° DECIMALS: X±1 .XX±03 .XXX±010</small>		INSTALLATION KIT, MODEL 20902	
<small>SURFACE FINISH: 128 OR BETTER BREAK ALL SHARP EDGES .010 MAX REMOVE ALL BURRS</small>		SIZE C	DWG. NO. 149020200
<small>THIRD ANGLE PROJECTION</small>		REV A	SHEET: 2 OF 2
<small>DO NOT SCALE DRAWING</small>		SCALE: 1/1	WEIGHT:

8 7 6 5 4 3 2 1