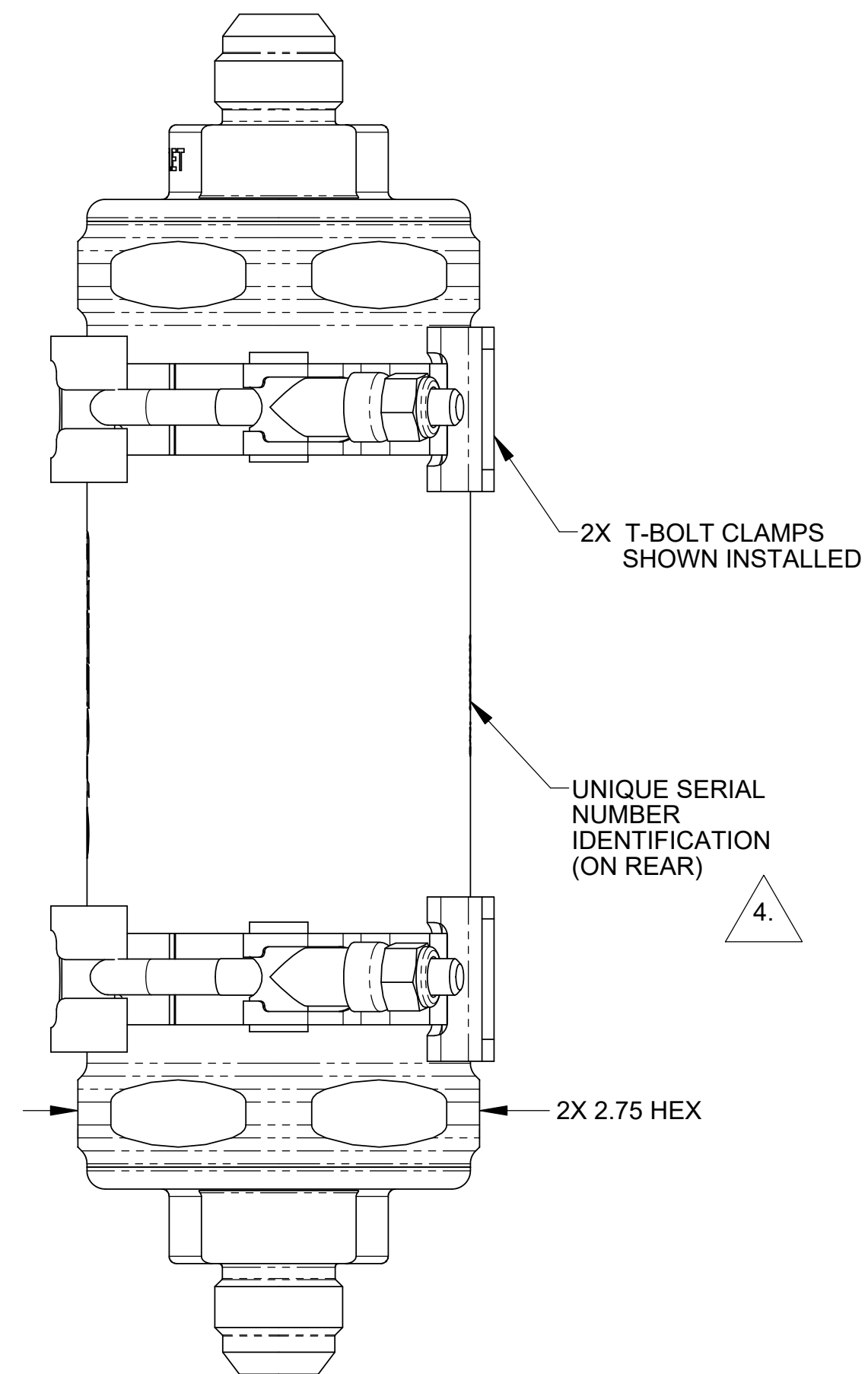
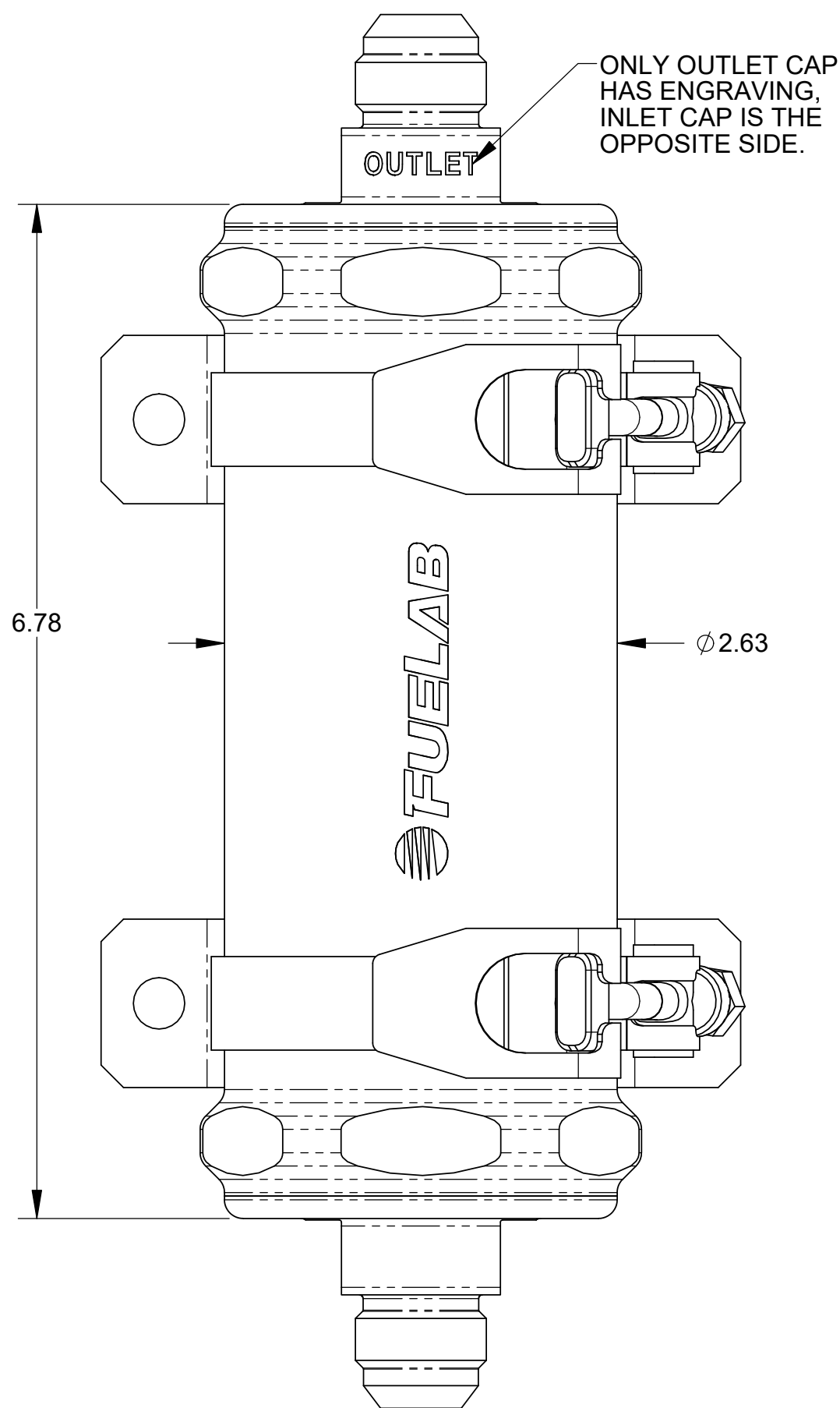


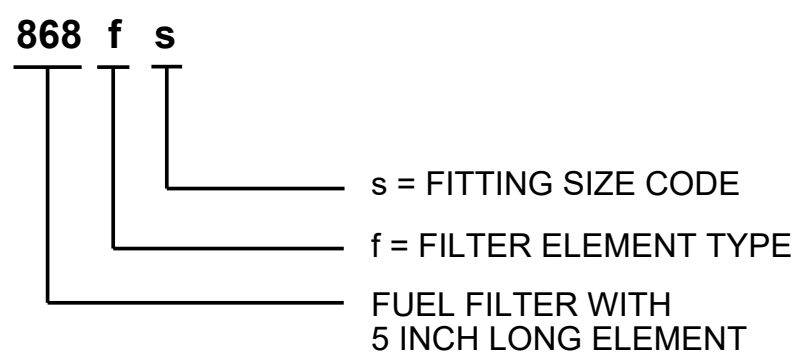
**NOTES:**

1. THIS DRAWING DESCRIBES THE FUELAB 868xx SERIES FUEL FILTER.
2. FEATURES INCLUDE:
  - TWO INTEGRATED MALE AN FITTING ENDS (ON EITHER SIDE OF FILTER).
  - AVAILABLE IN TWO (2) FITTING SIZES FOR BOTH ENDS.
  - AVAILABLE WITH THREE (3) ELEMENT TYPES.
  - BILLET ALUMINUM CONSTRUCTION IN MATTE BLACK FINISH WITH FLUOROSILICONE SEALS.
  - 10 GPM FLOW RATING.
3. FUEL COMPATIBILITY INCLUDES:
  - GASOLINE (PUMP OR RACE)
  - METHANOL
  - ETHANOL (INCLUDING E85)
  - DIESEL
4. UNIQUE SERIAL NUMBER DOES NOT CONTAIN DIRECT INFORMATION IN DETERMINING MODEL NUMBER. CONTACT FUELAB FOR DETERMINATION OF MODEL NUMBER BASED ON SERIAL NUMBER.
5. TWO (2) T-BOLT CLAMPS AND INSTRUCTIONS INCLUDED, BAGGED SEPARATELY FROM FILTER.
6. REFERENCE DRAWING 1080206A1 FOR ASSEMBLY INSTRUCTIONS.
7. SEE TABLES BELOW FOR DETERMINATION OF DESIRED MODEL NUMBER.

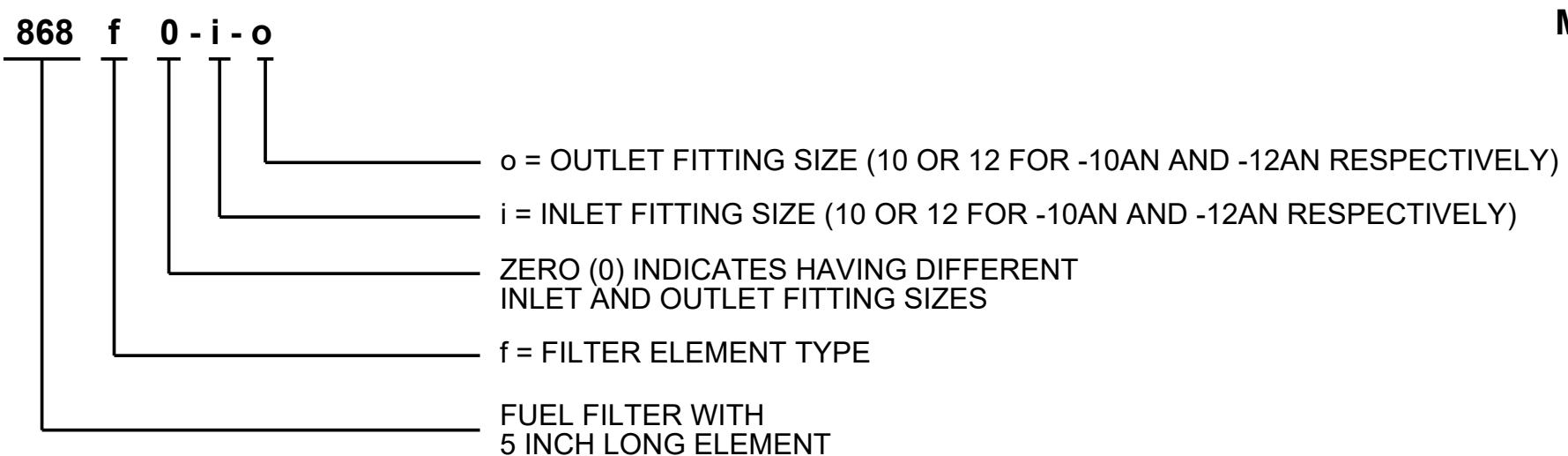


**MODEL NUMBER SCHEME:**

**HAVING SAME INLET AND OUTLET FITTING SIZES:**



**HAVING DIFFERENT INLET AND OUTLET FITTING SIZES:**



**MODEL 86813 SHOWN ABOVE AS EXAMPLE**

**FITTING SIZE CODE, s**

s	CODE
0	CUSTOM, ADD -I-O TO MODEL
3	-10 AN
4	-12 AN

**FILTER ELEMENT TYPE, f**

C	MATERIAL	MICRON RATING
1	STAINLESS STEEL	40µ RELATIVE
2	STAINLESS STEEL	100µ RELATIVE
3	MICRO-FIBERGLASS	6µ ABSOLUTE

UNLESS OTHERWISE SPECIFIED:  
 INTERPRET DWG PER ANSI Y14.5  
 DIMENSIONS ARE IN INCHES  
 TOLERANCES:  
 FRACTIONAL: ±1/64"  
 ANGULAR: ± 1/2°  
 DECIMALS:  
 X±1 .XX±.03 .XXX±.010  
 SURFACE FINISH 128 OR BETTER  
 BREAK ALL SHARP EDGES .010 MAX  
 REMOVE ALL BURRS

THIRD ANGLE PROJECTION

DO NOT SCALE DRAWING

**FUELAB**  
 DIGITAL FUEL DELIVERY  
 Collinsville, Illinois

TITLE:  
**FILTER,  
 868xx SERIES**

SIZE	DWG. NO.	REV
<b>C</b>	<b>108020600</b>	

SCALE: 1/1 WEIGHT: SHEET: 1 OF 1