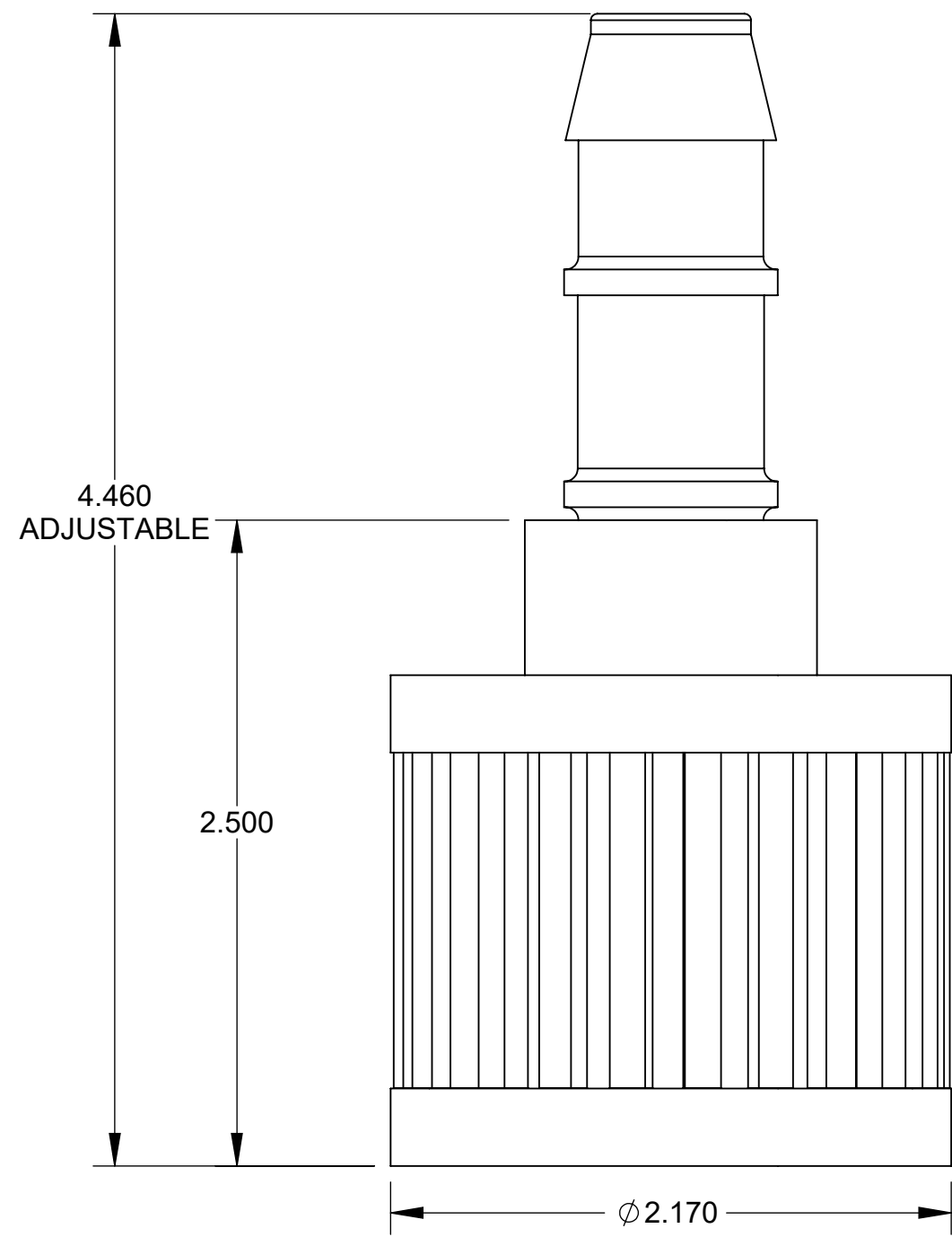
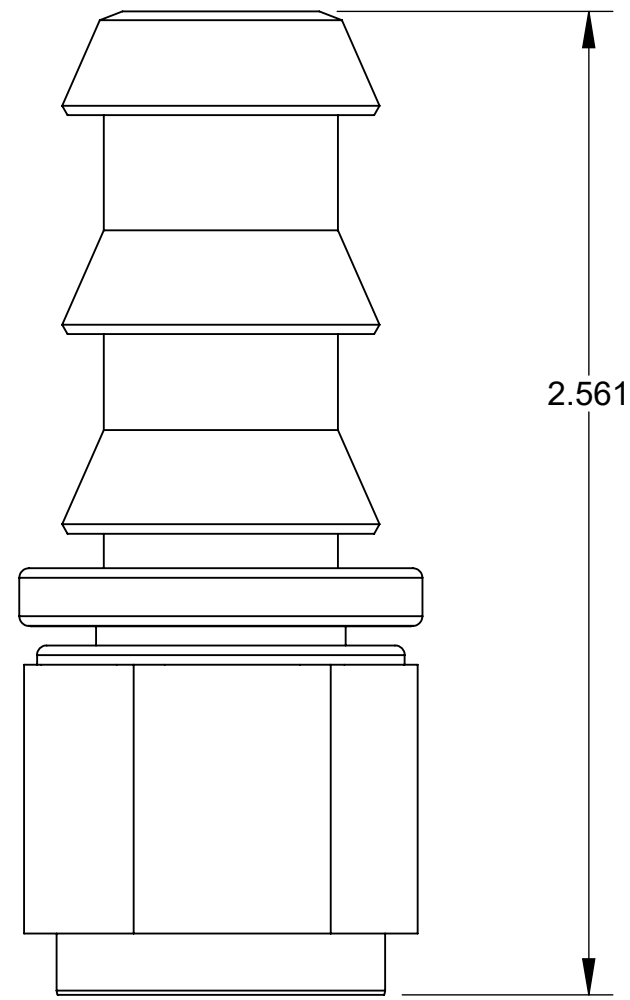


NOTES:

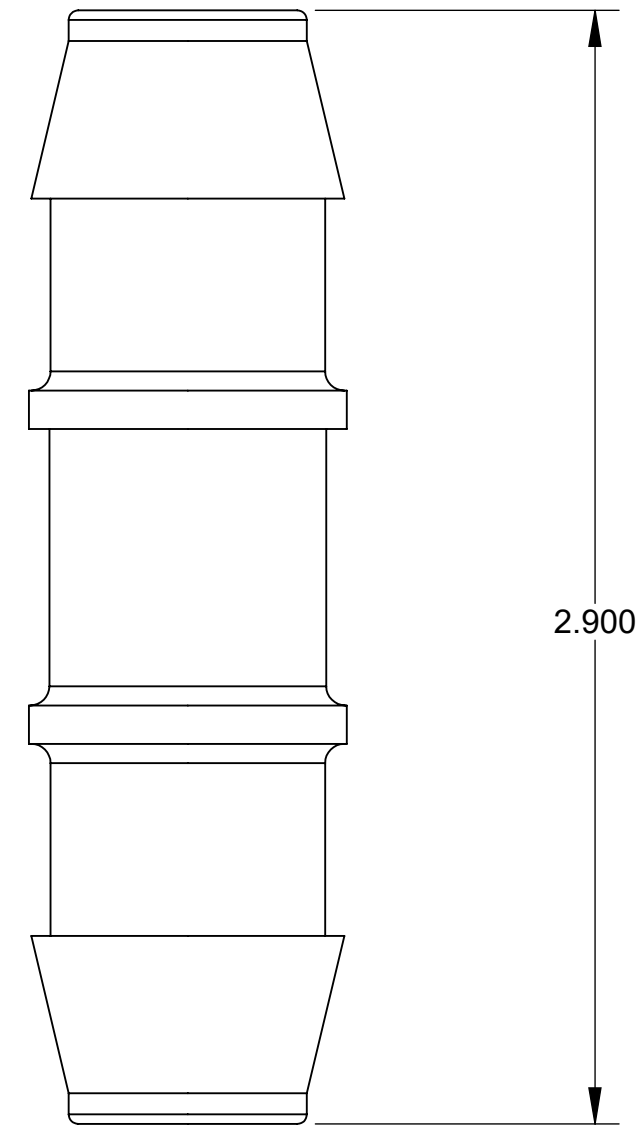
1. THIS DRAWING DESCRIBES 63713 FUEL CELL VENT KIT
2. FEATURES INCLUDE:
 - 10 AN PUSHLOCK FITTING
 - 5/8 FUEL VAPOR HOSE (3 ft.)
 - 5/8 BARB CONNECTOR
 - VENT FILTER
 - HOSE CLAMPS
3. FUEL COMPATIBILITY INCLUDES:
 - GASOLINE (PUMP OR RACE)
 - E85
 - METHANOL



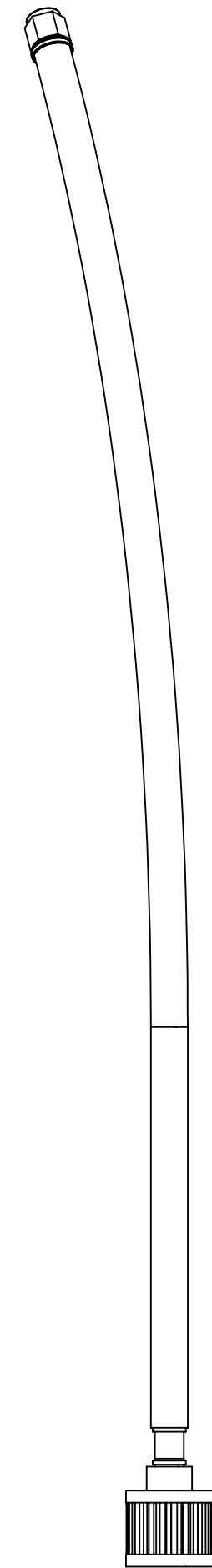
FILTER WITH BARB CONNECTOR




10 AN PUSHLOCK FITTING



5/8 BARBED CONNECTOR



ASSEMBLY

UNLESS OTHERWISE SPECIFIED: INTERPRET DWG PER ANSI Y14.5 DIMENSIONS ARE IN INCHES TOLERANCES: FRACTIONAL: ± 1/64" ANGULAR: ± 1/2° DECIMALS: X ± 1 .XX ± .03 .XXX ± .010 SURFACE FINISH 128 ✓ OR BETTER BREAK ALL SHARP EDGES .010 MAX REMOVE ALL BURRS		 COLLINSVILLE, ILLINOIS	
THIRD ANGLE PROJECTION		TITLE: FUEL CELL VENT KIT, 63713	
SIZE	DWG. NO.	REV	
C	155020108	B	
SCALE: 1/2	WEIGHT:	SHEET: 1 OF 1	