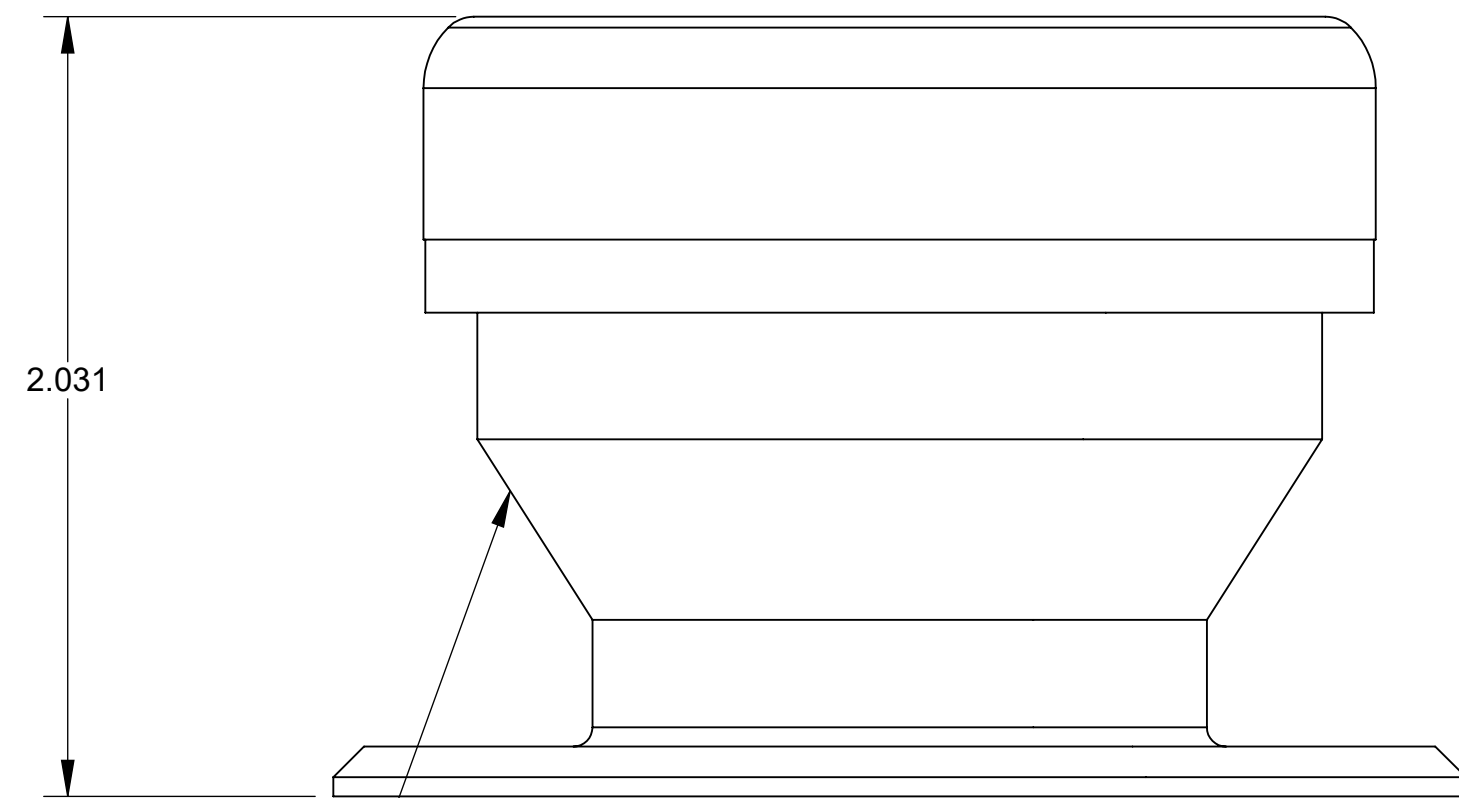


NOTES:

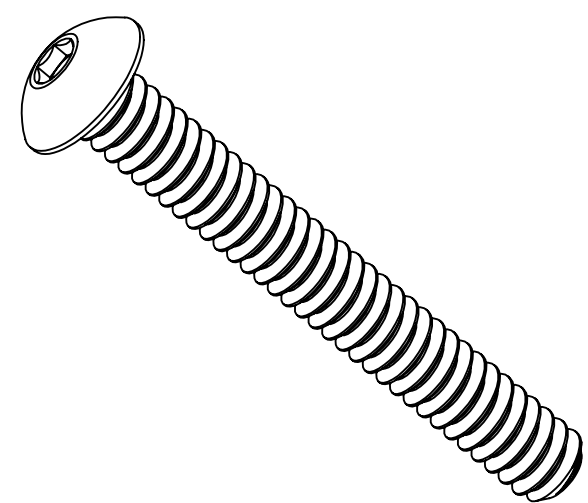
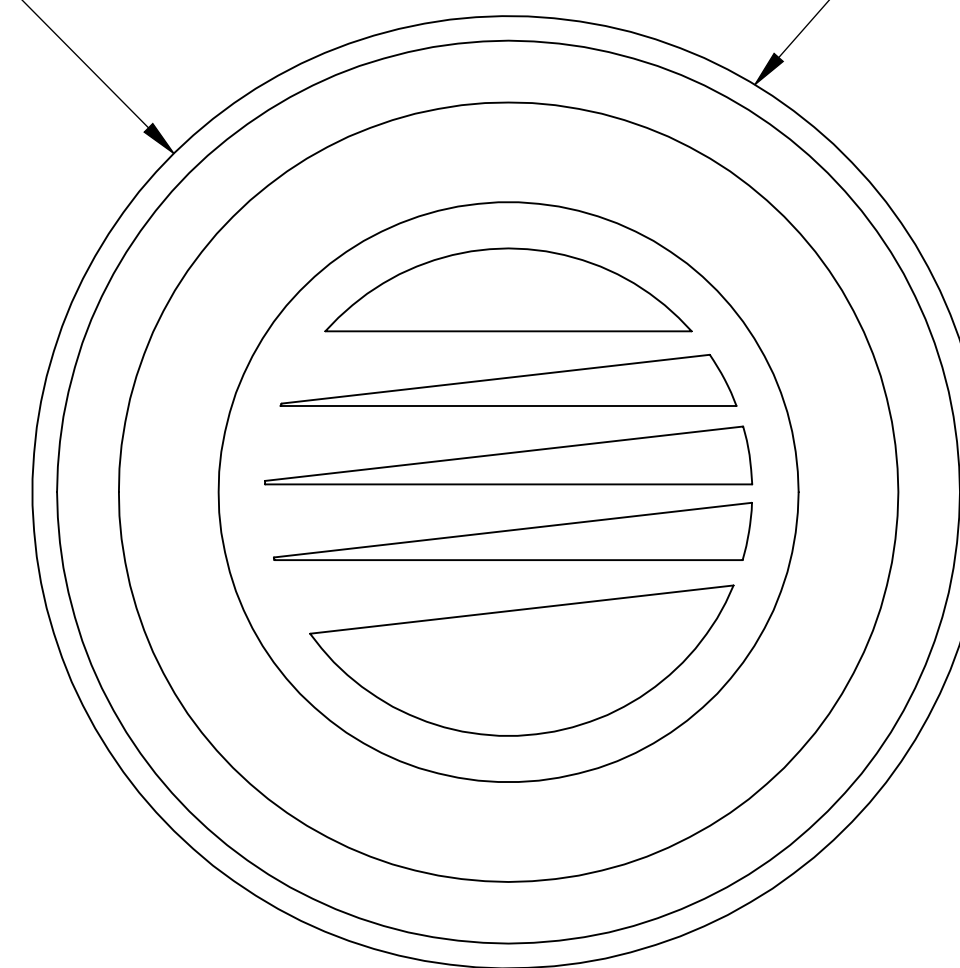
1. THIS DRAWING DESCRIBES 63711 DIRECT FUEL FILL KIT WITH CAP.
2. FEATURES INCLUDE:
 - DIRECT FILLER NECK
 - GASKET
 - FUEL CAP
 - O RING
 - MOUNTING HARDWARE
3. FUEL COMPATIBILITY INCLUDES:
 - GASOLINE (PUMP OR RACE)
 - E85
 - METHANOL



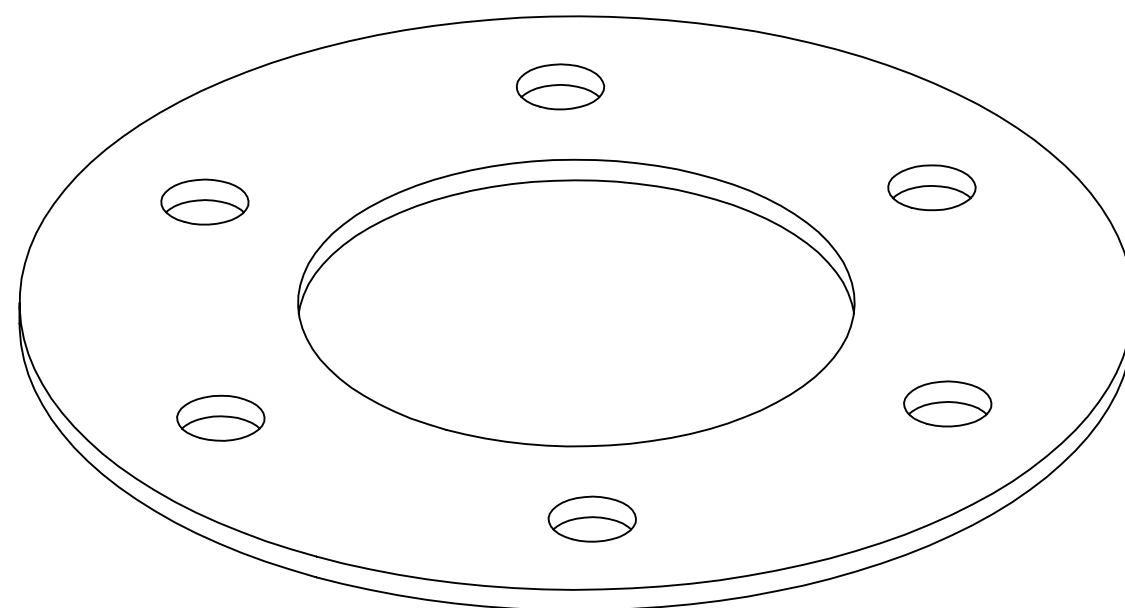
FILLER NECK

Ø 2.480

CAP

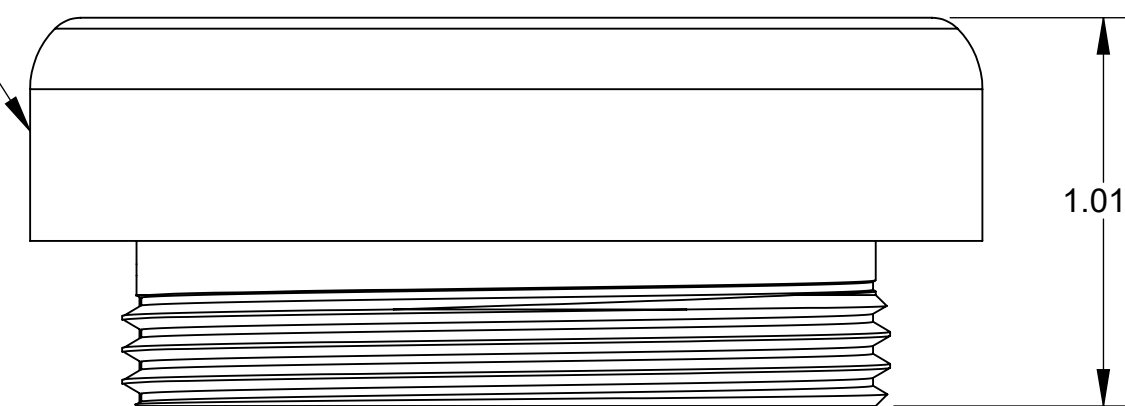


**SCREWS
(MOUNTING HARDWARE)**

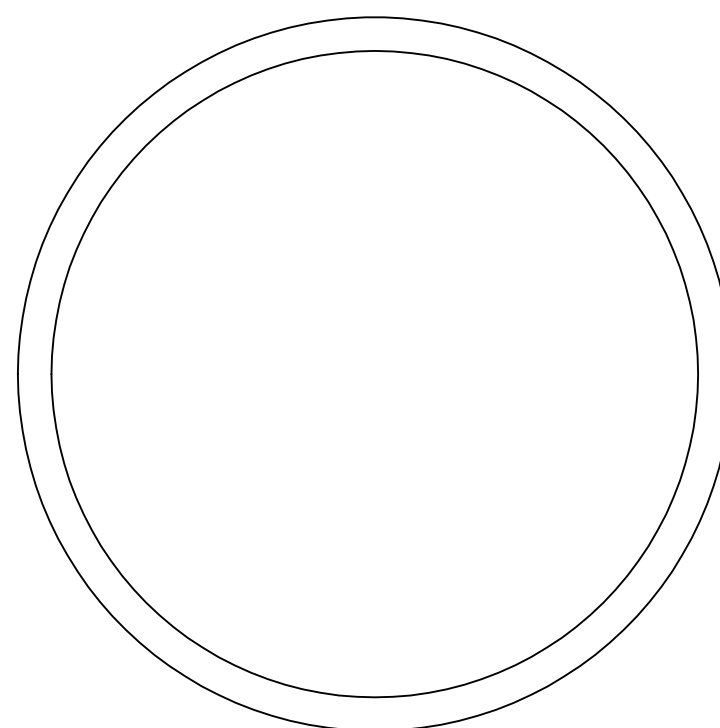


GASKET



MEDIUM KNURL



1.011



O RING

| | | | |
|---|----------------|-------------------------------|---|
| UNLESS OTHERWISE SPECIFIED: | | |  COLLINSVILLE, ILLINOIS |
| INTERPRET DWG PER ANSI Y14.5 DIMENSIONS ARE IN INCHES TOLERANCES: FRACTIONAL: ± 1/64" ANGULAR: ± 1/2° DECIMALS: .X ± .1 .XX ± .03 .XXX ± .010 | | | |
| SURFACE FINISH: 128 ✓ OR BETTER BREAK ALL SHARP EDGES .010 MAX REMOVE ALL BURRS | | | TITLE: DIRECT FUEL FILL KIT, 63711 |
| THIRD ANGLE PROJECTION  | SIZE: C | DWG. NO.: 155020106 | REV: B |
| DO NOT SCALE DRAWING | | | SCALE: 1/2 WEIGHT: SHEET: 1 OF 1 |