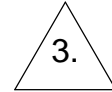


**NOTES:**

1. THIS DRAWING DESCRIBES THE FUELAB 718xx SERIES FUEL FILTER ELEMENTS.
2. FEATURES INCLUDE:
  - COMPATIBILITY WITH FUELAB 818xx, 828xx, 848xx AND 858xx SERIES FILTER ASSEMBLIES
  - AVAILABLE IN THREE (3) AND FIVE (5) INCH LENGTHS
  - SIMILAR BUILD TO AN6235-3A STYLE FILTER ELEMENTS



**FUEL COMPATIBILITY INCLUDES:**

- GASOLINE (PUMP OR RACE)
- METHANOL
- ETHANOL (INCLUDING E85)
- DIESEL

SPECIAL NOTE: CELLULOSE ELEMENTS HAVE COMPATIBILITY WITH GASOLINE (PUMP OR RACE) AND DIESEL FUELS ONLY!

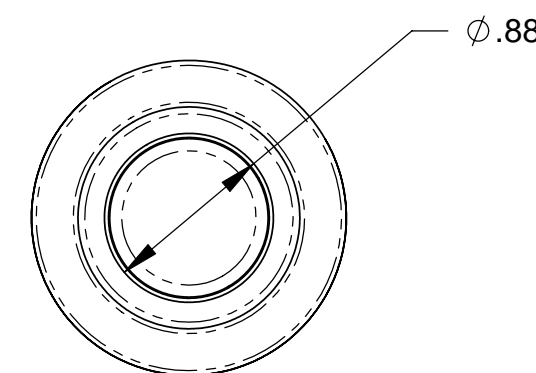
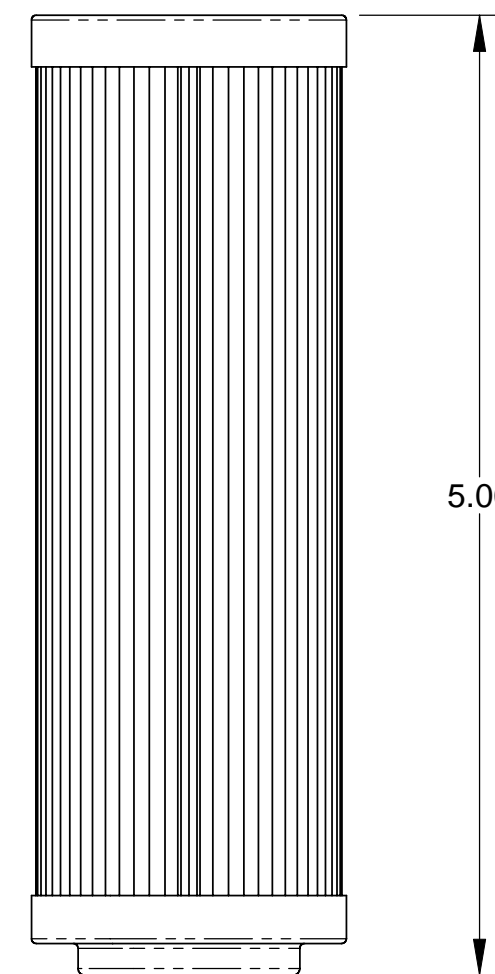
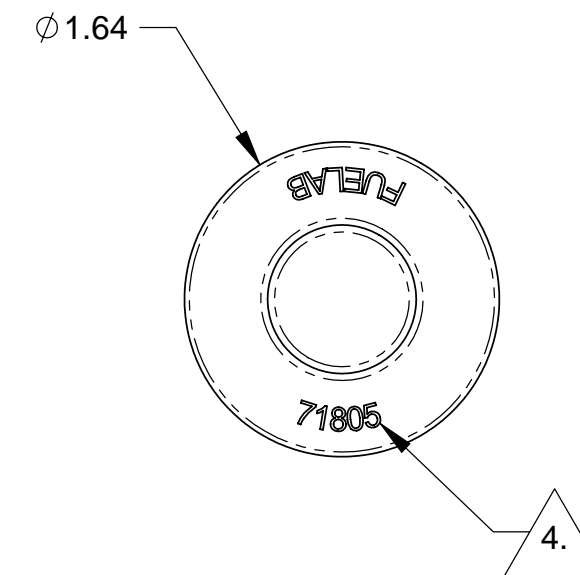


MODEL NUMBER PRINTED ON ELEMENT END CAP AS SHOWN IN FIELD OF DRAWING.

5. SEE TABLES BELOW FOR DETERMINATION OF DESIRED MODEL NUMBER.

**MODEL SELECTION TABLE**

MODEL	MATERIAL	MICRON RATING	LENGTH
71801	CELLULOSE (PAPER)	10μ RELATIVE	3 INCH
71802	STAINLESS STEEL	40μ RELATIVE	3 INCH
71803	STAINLESS STEEL	75μ RELATIVE	3 INCH
71804	MICRO-FIBERGLASS	6μ ABSOLUTE	3 INCH
71805	CELLULOSE (PAPER)	10μ RELATIVE	5 INCH
71806	STAINLESS STEEL	40μ RELATIVE	5 INCH
71807	STAINLESS STEEL	75μ RELATIVE	5 INCH
71808	MICRO-FIBERGLASS	6μ ABSOLUTE	5 INCH



**MODEL 71805 SHOWN ABOVE**

<small>UNLESS OTHERWISE SPECIFIED:                  INTERPRET DWG PER ANSI Y14.5                  DIMENSIONS ARE IN INCHES                  TOLERANCES:                  FRACTIONAL: ±1/64"                  ANGULAR: ± 1/2°                  DECIMALS:                  X±1 .XX±0.3 .XXX±0.10                  SURFACE FINISH 128 ✓ OR BETTER                  BREAK ALL SHARP EDGES .010 MAX                  REMOVE ALL BURRS</small>			
<small>THIRD ANGLE PROJECTION</small>		TITLE: <h3>FILTER ELEMENT, 718xx SERIES</h3>	
SIZE <h2>C</h2>	DWG. NO. <h2>1080201A0</h2>	REV	
SCALE: 2/1	WEIGHT:	SHEET: 1 OF 1	