

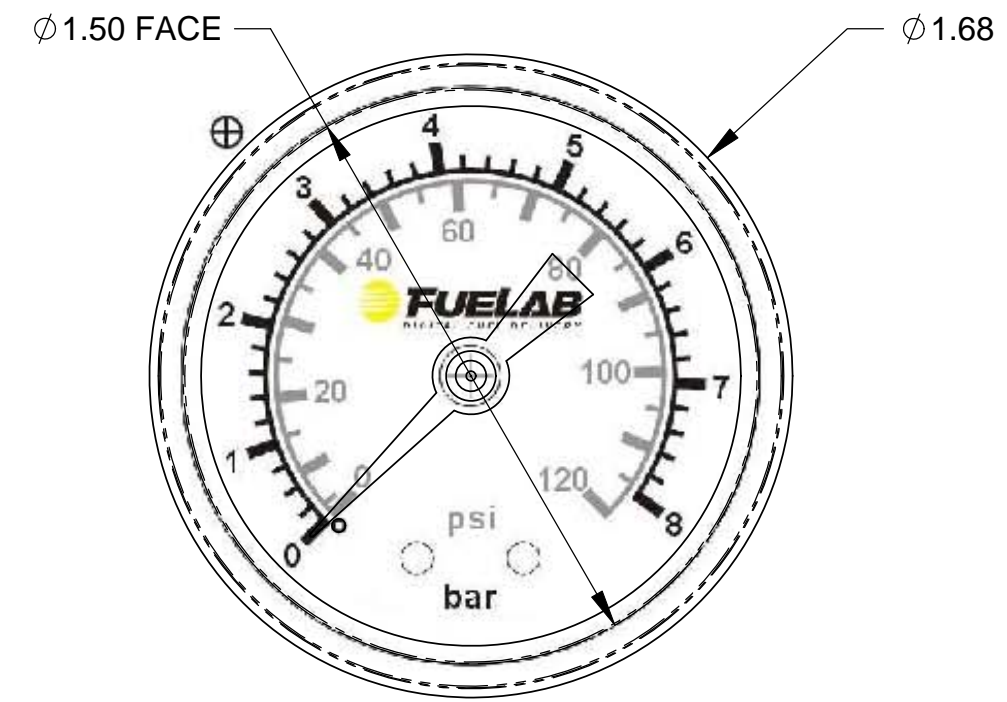
**NOTES:**

1. THIS DRAWING DESCRIBES THE FUELAB 718xx SERIES FUEL PRESSURE GAUGES.
2. FEATURES INCLUDE:
  - 1/8-27 NPT PIPE THREAD INLET
  - COMPATIBLE WITH ALL FUELAB PRESSURE REGULATORS
  - WHITE BACKGROUND WITH BLACK NUMBERS AND POINTER
3. FUEL COMPATIBILITY INCLUDES:
  - GASOLINE (PUMP OR RACE)
  - METHANOL
  - ETHANOL (INCLUDING E85)
  - DIESEL
4. MODELS 71511 AND 71512 ARE DUAL SCALE GAUGES.
5. SEE TABLES BELOW FOR DETERMINATION OF DESIRED MODEL NUMBER.

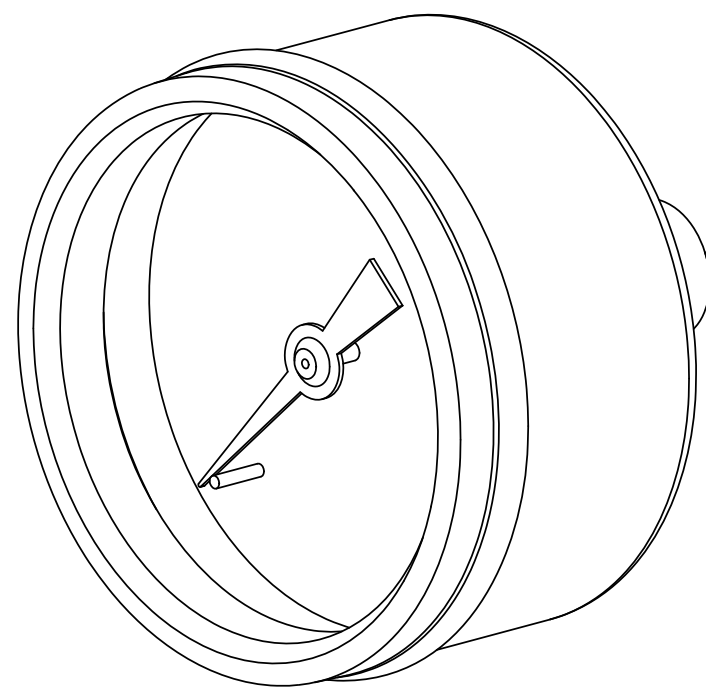
**MODEL SELECTION TABLE**

| MODEL | ENGLISH PRESSURE RANGE | METRIC PRESSURE RANGE |
|-------|------------------------|-----------------------|
| 71501 | 0-120 PSIG             | N/A                   |
| 71502 | 0-15 PSIG              | N/A                   |
| 71511 | 0-120 PSIG             | 0-8 BAR               |
| 71512 | 0-15 PSIG              | 0-1 BAR               |

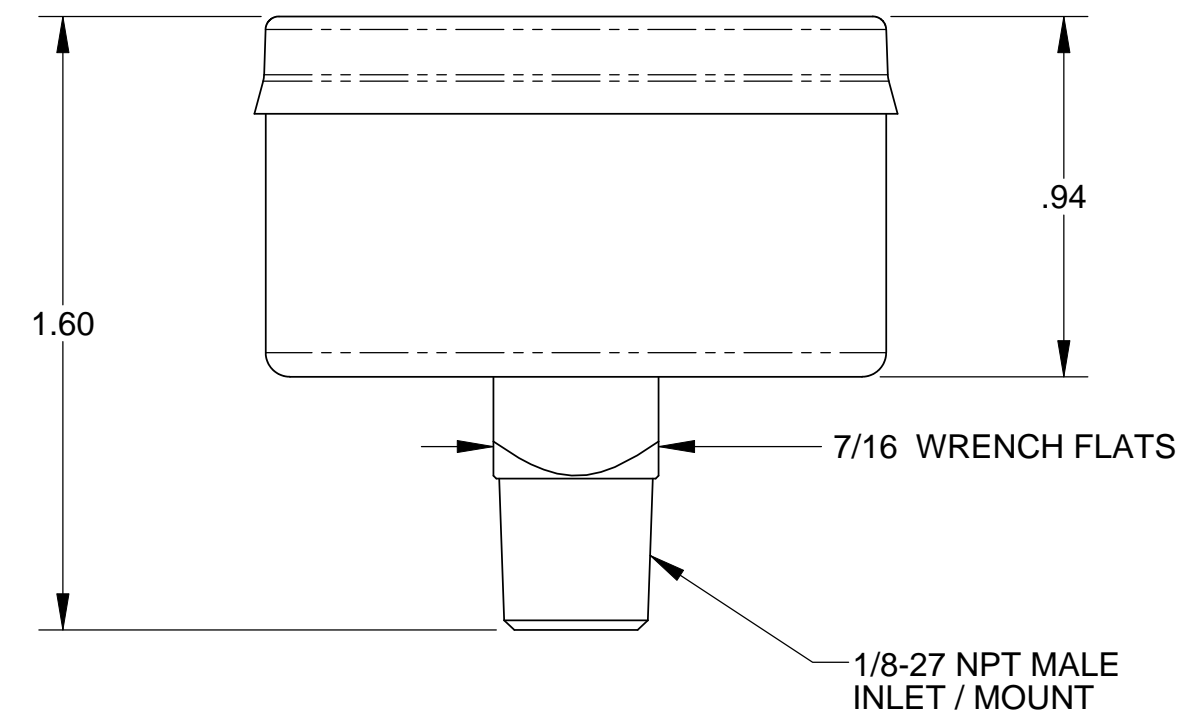
4.




**EXAMPLE MODEL 71511 SHOWN ABOVE**



**ISOMETRIC VIEW**



|  |                  |  |  |
|--|------------------|--|--|
| UNLESS OTHERWISE SPECIFIED:<br>INTERPRET DWG PER ANSI Y14.5<br>DIMENSIONS ARE IN INCHES<br>TOLERANCES:<br>FRACTIONAL: ±1/64"<br>ANGULAR: ±1/2°<br>DECIMALS:<br>X±1 .XX±.03 .XXX±.010<br>SURFACE FINISH 128 ✓ OR BETTER<br>BREAK ALL SHARP EDGES .010 MAX<br>REMOVE ALL BURRS |                  |  <b>FUELAB</b><br>DIGITAL FUEL DELIVERY<br>Litchfield, Illinois |  |
| THIRD ANGLE PROJECTION   |                  | TITLE:<br><br><b>GAUGE,<br/>715xx SERIES</b>   |  |
| SIZE   | DWG. NO.         | REV  |  |
| <b>C</b>   | <b>107020100</b> |  |  |
| SCALE: 2/1   | WEIGHT:          | SHEET: 1 OF 1  |  |